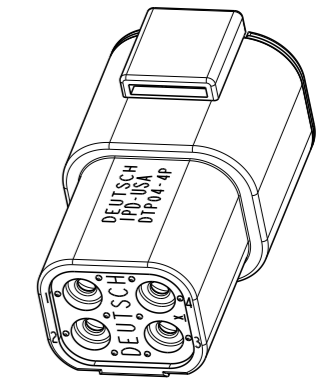
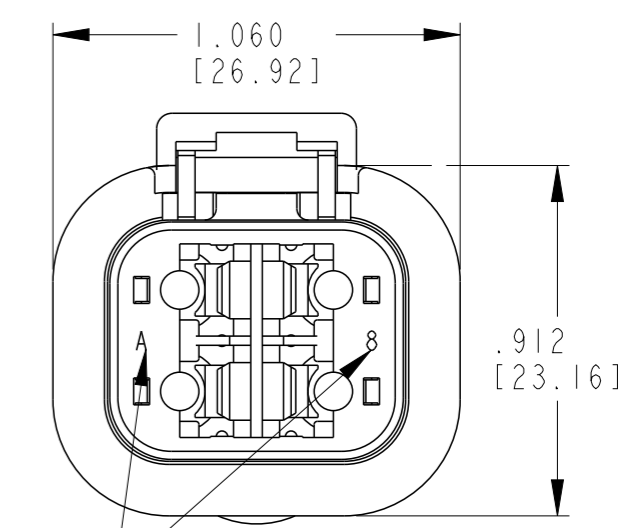
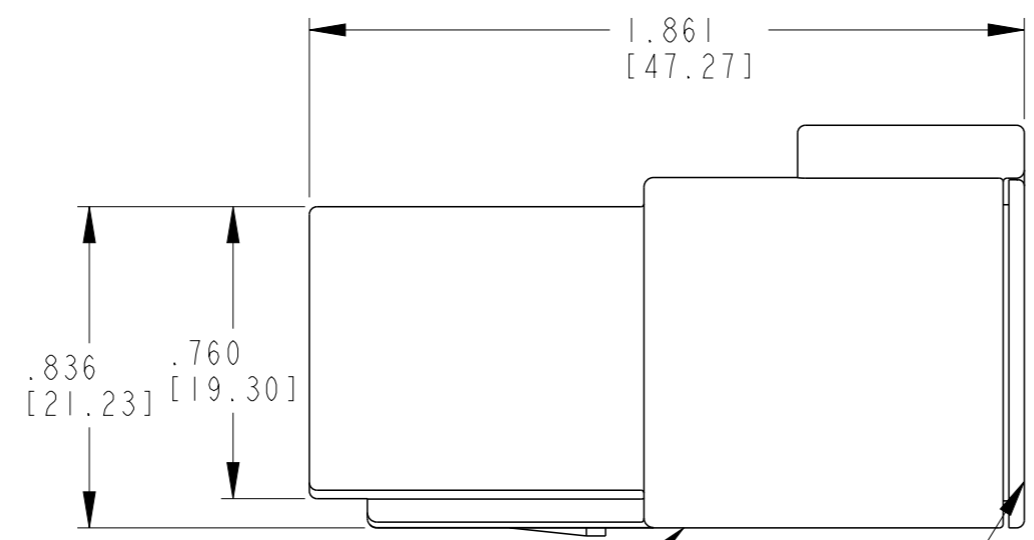
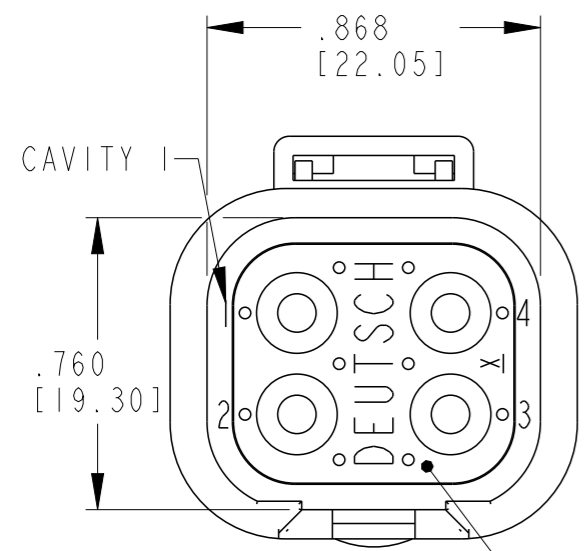


THIS DRAWING IS UNPUBLISHED  
 RELEASED FOR PUBLICATION 2015  
 © COPYRIGHT 2015 BY - TE CONNECTIVITY ALL RIGHTS RESERVED.

LOC	DIST	REVISIONS			
P	LTR	DESCRIPTION	DATE	DWN	APVD
-	-	NC	NEW RELEASE PER E.O. PI5534	29JAN1998	- RDR
		A	REVISED PER E.O. PI7088	23JAN2001	- RDR
		B	REVISED PER E.O. PI7309	14JUN2001	- RDR
		C	REVISED AS PER ECO-15-003592	30MAR2015	VNB DM



4. DATE CODE: MONTH IS REPRESENTED BY SEQUENTIAL ALPHA CHARACTERS.  
 EX: A=JANUARY; YEAR IS REPRESENTED BY LAST NUMERICAL DIGIT. EX: 8=2008

3. THE RECEPTACLE MATES WITH DTP06-4S-XXXX PLUG  
 (XXXX = ALL MODIFICATIONS)

2. MATERIAL:  
 RECEPTACLE: PA66 GF15 (GREY)  
 SEAL RETAINER: PA66 GF15 (GREY)  
 INTERFACE SEAL: SILICONE, PHENYL FLUID LUBED (GREEN)

1. SECONDARY WEDGE LOCK SOLD SEPARATELY: WP-4P-XXXX  
 (XXXX = ALL MODIFICATIONS)

NOTES: UNLESS OTHERWISE SPECIFIED

TE INTERNAL PN		DEUTSCH PN	
DTP04-4P		DTP04-4P	
CONTACT SIZE	MIN. INSUL. O.D.	MAX INSUL. O.D.	WIRE RANGE
12	.134 [3.40]	.170 [4.32]	10-14 AWG [5.0-2.0mm <sup>2</sup> ]

THIS DRAWING IS A CONTROLLED DOCUMENT.		DWN D. MEYER 21AUG1998	<b>TE</b> TE Connectivity		
DIMENSIONS: INCHES [mm]		CHK A. ROLINSKI 12JUN2001			
TOLERANCES UNLESS OTHERWISE SPECIFIED:		APVD R. REED 14JUN2001	NAME RECEPTACLE, 4PIN, SIZE 12 INLINE DTP SERIES		
0 PLC ±- 1 PLC ±- 2 PLC ±- 3 PLC ±0.025 [0.64] 4 PLC ±- ANGLES ±-		PRODUCT SPEC 0425-015-0000	SIZE A3	CAGE CODE 4AFU8	DRAWING NO DTP04-4P
MATERIAL 2		FINISH -	APPLIC. SPEC 0425-015-0000	RESTRICTED TO -	SCALE 3:1
		WEIGHT 17.7g	Customer Drawing		SHEET 1 OF 1
					REV C